



EXP Bus

EXP Bus - Bus expander to the ProCon GSM/4G Cloud modules



[Installation guide](#)

Device description

The EXP Bus is an expansion panel with which the EXP 8IO expansion can be connected to the ProCon GSM module. This expander lets you connect the EXP 8IO (max. 16 units) to the ProCon GSM Cloud and the ProCon 4G Cloud. If the number of inputs and outputs on the module is insufficient, you can expand it with eight more inputs and outputs with the EXP 8IO panel. You will find the module under the name BUS expansion in the programming software.

Installation / wiring diagram with EXP8iO extension module

Connect the EXP BUS module to the ProCon GSM or ProCon 4G module. The EXP BUS module can be connected to the expansion module connector of the ProCon module. Connect data cables A and B properly. EXP 8IO power supply operating range: 9-30VDC. The length of the connection cables between the expansion modules can be a maximum of 500 meters. The jumper on the last module must be short-circuited.

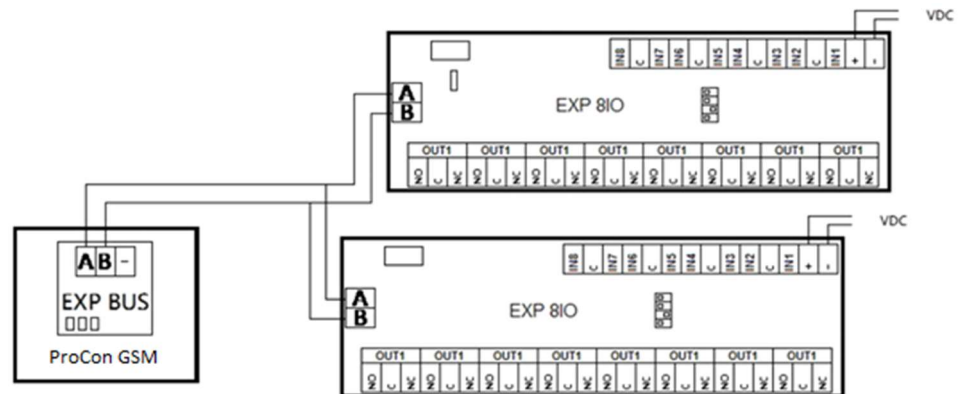


Figure 1: Wiring diagram

Programming with ProRead software

To connect the EXP 8IO to the ProCon GSM, the type of expansion module must be selected in the ProRead software on the Outputs/More settings interface as follows:

